

**DEFINING THE GOLD STANDARD
OF PREMIUM SALON EXPERIENCE**

FT1566 THERMOSTATIC STANDING SHAMPOO
FAUCET & SHOWER SET

ERDEN CO., LTD. | Professional OEM/ODM Sanitary Ware Manufacturer

A single poor hair washing experience is enough to ruin the most perfect haircut or perm.

Pitfall 1: The Shock of Sudden Temperature Fluctuations

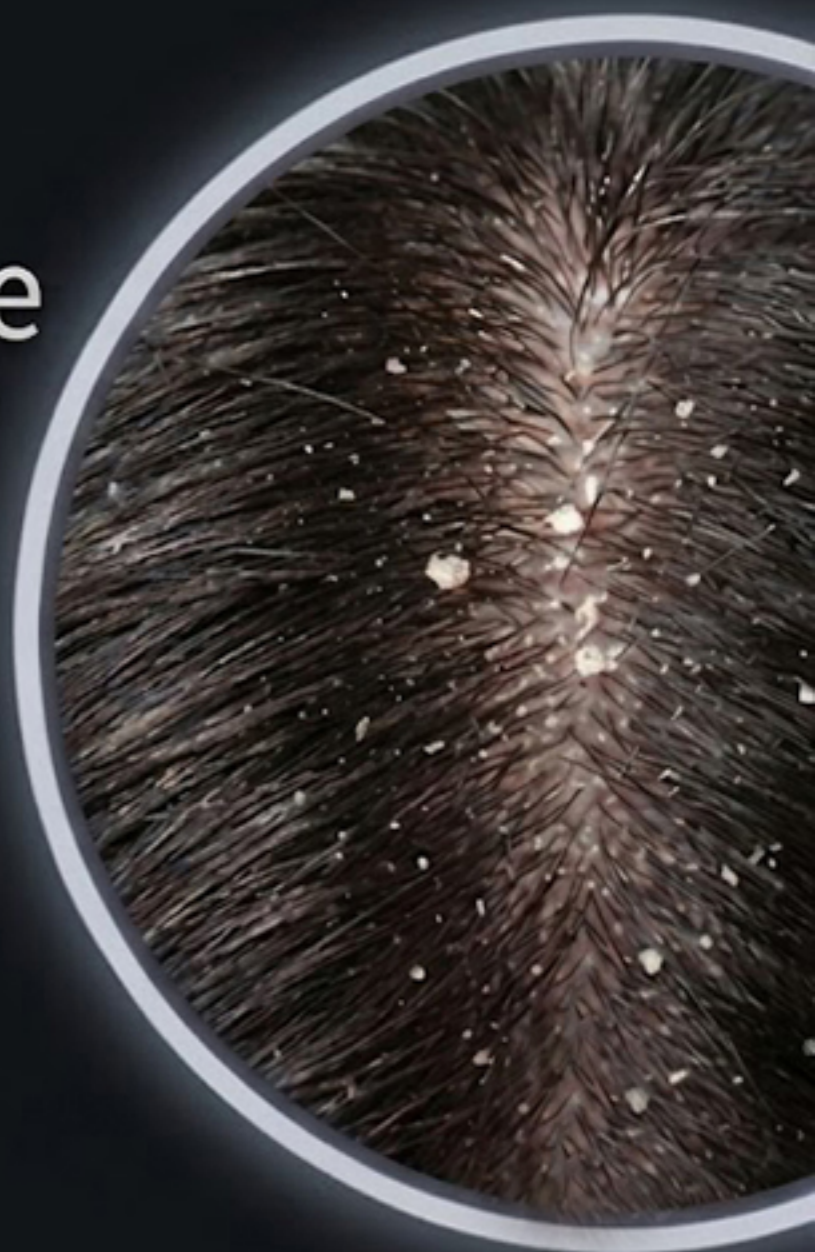
Traditional faucets alternate between hot and cold unpredictably. Customers cannot relax on the shampoo chair, and stylists must constantly test the water temperature manually, interrupting the flow of service.

Pitfall 2: Persistent Chemical Odors

After high-end coloring or perming treatments, pungent ammonia and chemical residues linger in the hair, significantly diminishing the premium feel of the service.

Pitfall 3: Deep-Seated Scalp Issues Left Unresolved

Clogged pores, itchy scalps, and stubborn dandruff cannot be deeply purified or rooted out by regular shampoo alone.



PERFECT STYLING BEGINS WITH HEALTHY SCALP AND ULTIMATE RELAXATION

WATER TEMPERATURE DIFFICULT TO CONTROL

Traditional faucets require repeated manual temperature testing, which can lead cold or hot water, interrupting the customer's relaxation experience.

RISK OF CHEMICAL RESIDUE

Weak, single-stream water flow is unable to thoroughly wash away chemical residues from perming or dyeing, leading to clogged pores.

SCALP DANDRUFF PROBLEMS

Incomplete scalp cleansing directly leads to itching and dandruff, impacting customer satisfaction.

REVOLUTIONARY SHAMPOO EXPERIENCE, SIMPLIFYING COMPLEXITY

HEALTH UPGRADE

Fundamentally improves dandruff and pore blockage issues.

DEEP CLEANSING

Special shower design, penetrates pores to wash away dirt, shortening cleaning time.

PRECISE THERMOSTATIC CONTROL

Exclusive temperature control technology provides customers a stress-free and comfortable shampoo experience.

EASY INSTALLATION

Stand-up design, perfectly compatible with all kinds of shampoo beds and salon equipment.





CONSTANT TEMPERATURE AND SCALD PREVENTION NO MORE FLUCTUATING HOT AND COLD WATER SENSATIONS

DESIGNER'S EASE

Locks in the optimal hair washing temperature, eliminating repeated testing on the customer's scalp. Significantly increases service efficiency and professionalism.

CUSTOMER'S PEACE OF MIND

Equipped with a red anti-scald safety button mechanism. Precisely controls water temperature, preventing sudden scalding, ensuring a purely relaxing experience.



ULTIMATE FINE WATER STREAM, AWAKENING DEEP SCALP RESPIRATION

1



2



3

[Step 1] Penetrate

Special design of water outlets produces a fine water stream, directly penetrating thick hair to reach the scalp surface layer.

[Step 2] Carry Away

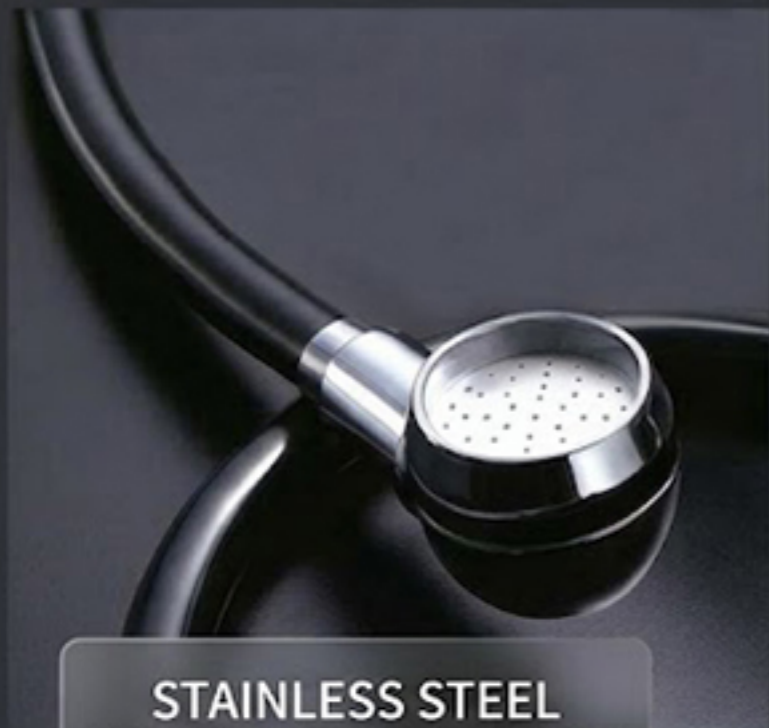
High-efficiency water pressure thoroughly flushes away chemical residues from dyeing or perming and stubborn grease, preventing pore blockage.

[Step 3] Improve

Long-term use can significantly remove aged keratin and pore dirt, fundamentally improving dandruff and itching problems.

*Note: Multiple shower head styles are available for selection.

CRAFTSMANSHIP FOR HIGH-FREQUENCY COMMERCIAL ENVIRONMENTS



STAINLESS STEEL METAL FLEXIBLE HOSE

Durable, twist-resistant, and specially designed for high-strength, high-frequency salon environments.



PREMIUM CHROME FINISH

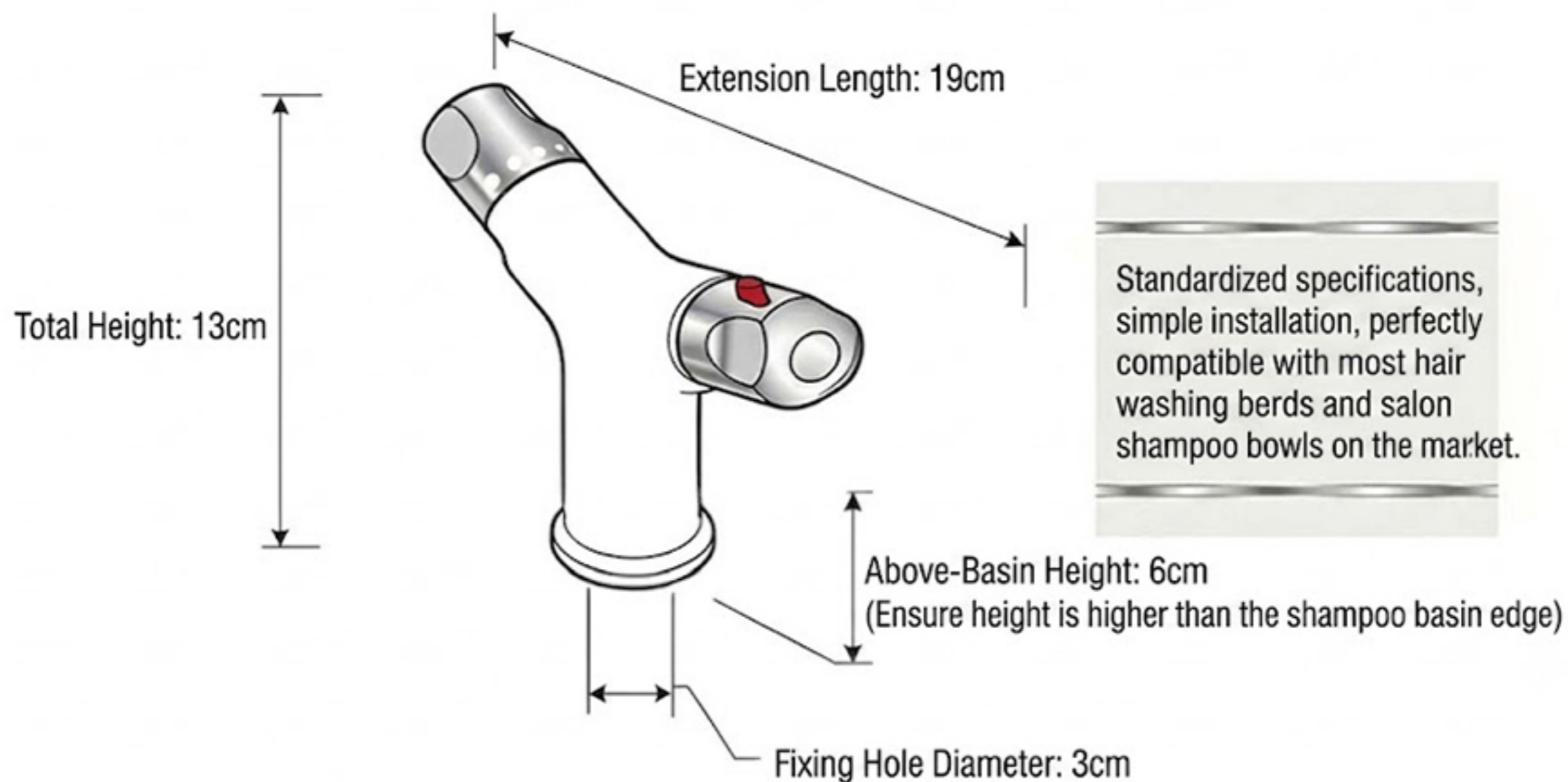
Whether featuring high-quality paint or multi-layer chrome plating, both offer dirt-resistant, rust-proof, and easy-to-clean properties.



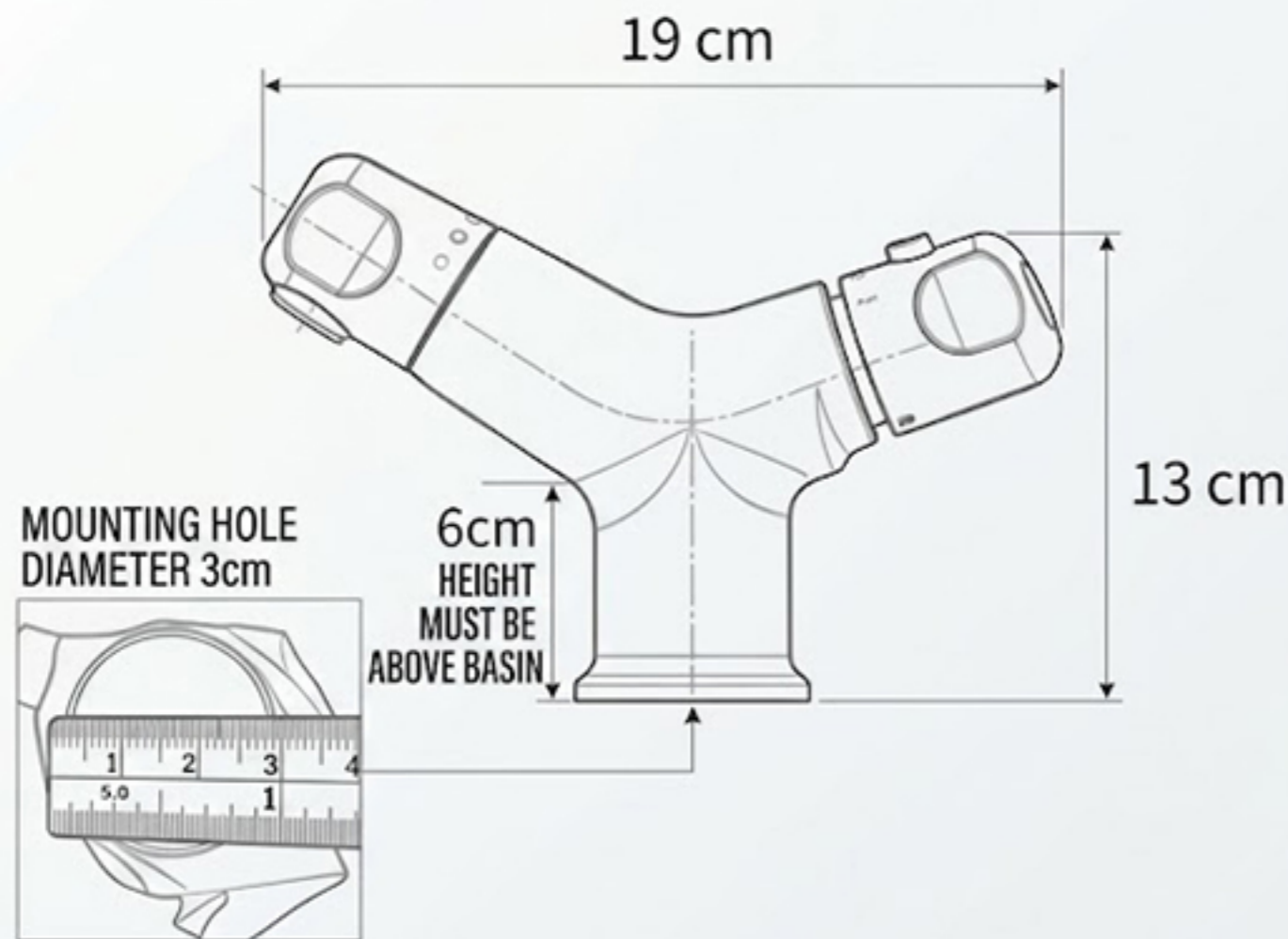
ERGONOMIC GRIP

Streamlined handle design reduces hand fatigue for hair stylists over long hours of use.

Space Compatibility Blueprint: Seamlessly Upgrade Your Hair Washing Equipment



PAINLESS UPGRADE, PERFECTLY FITS EXISTING SHAMPOO BED SPACE



SPECIFICATIONS AND INSTALLATION DATA

- **FIGURE DIMENSIONS:** Length 19cm x Height 13cm
- **INSTALLATION CONDITION:** Height must be higher than basin edge by 6cm, mounting hole diameter standard 3cm
- **COMPATIBILITY:** Design fits most commercially available shampoo bed and chair specifications

CORE MESSAGE: NO NEED FOR LARGE-SCALE CONSTRUCTION TO REPLACE EQUIPMENT, JUST REPLACE THE FIGURE MODULE INSTANTLY COMPLETE A MAJOR SALON HARDWARE UPGRADE.

ULTIMATE CRAFTSMANSHIP × ACTIVE OXYGEN TECHNOLOGY = PERFECT WASH & CARE EVOLUTION



O-CLEAN ACTIVE OXYGEN STERILIZER

Instantly generates natural ozone water for deep follicle purification.



TEMPERATURE-CONTROLLED SHAMPOO FAUCET

Absolute thermostatic control with salon-grade ergonomic water flow.

SYSTEM SYNERGY: Combining over 24 years of manufacturing expertise from Bairyu Bathroom to create flawless wash & care infrastructure for hair salons.



O-Clean Active Oxygen Technology: The Source of Pure Water Flow

INSTANTLY GENERATES NATURAL OZONE WATER

Patented micro-bubble generation technology perfectly fuses high-concentration O₃ into the water flow.

99.99% HIGH-EFFICIENCY STERILIZATION

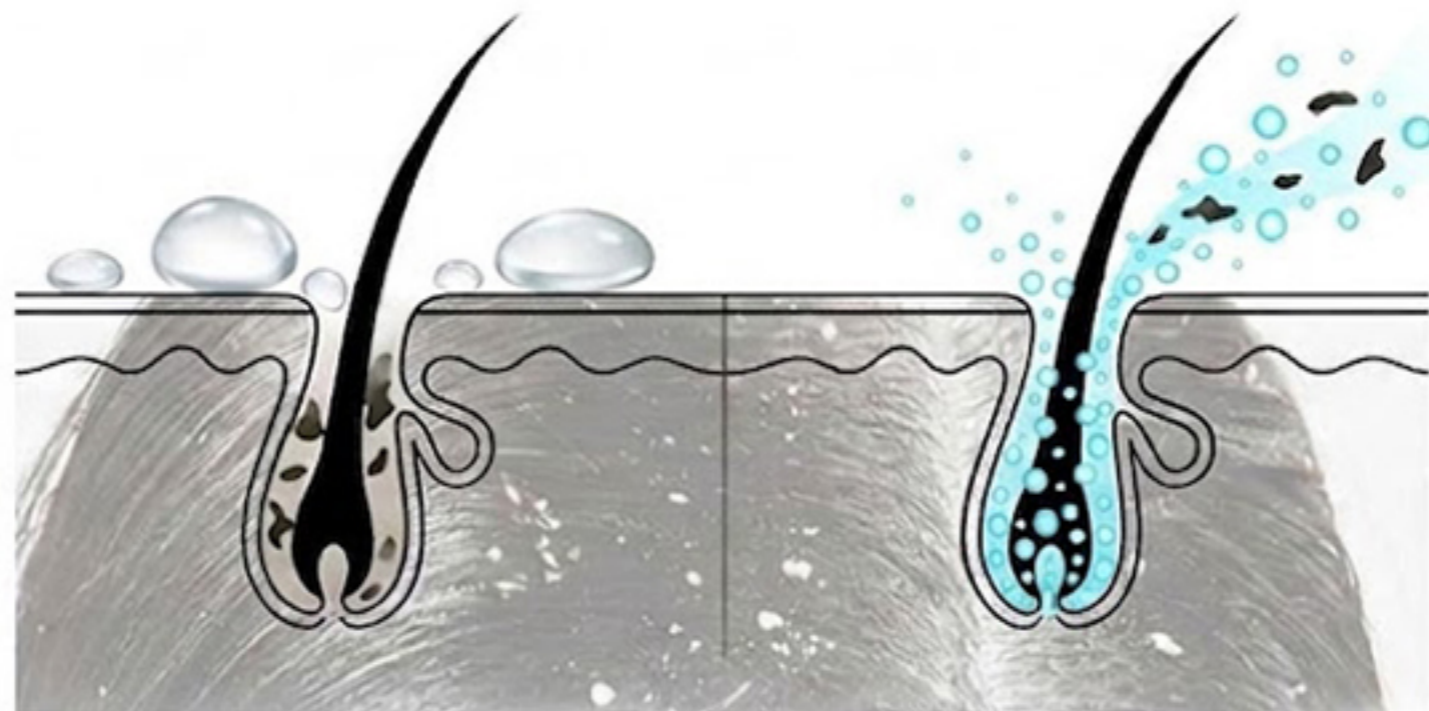
SGS certified to instantly eliminate harmful bacteria and dandruff spores.

SAFE AND RESIDUE-FREE

Quickly reduces to pure oxygen and water after action, ensuring absolute safety for humans and the environment, protecting the hands of designers and customers.

DEEP MICRO-PURIFICATION INTO FOLLICLES, RESHAPING THE SCALP ECOSYSTEM

GENERAL
WATER FLOW



ACTIVE OXYGEN
MICRO-FINE
WATER STREAM

DEEP CLEANSING

The volume of micro-fine gas bubbles is significantly smaller than the hair pores, allowing it to easily carry away aged keratin and stubborn grease.

IMPROVE DANDRUFF

Active oxygen's sterilization properties effectively inhibit the fungus that causes scalp itching itching and dandruff.

SHORTEN SHAMPOOING TIME

Efficient cleansing power makes the shampooing process smoother, allowing the scalp to instantly restore fresh respiration and leaving hair softer after washing.

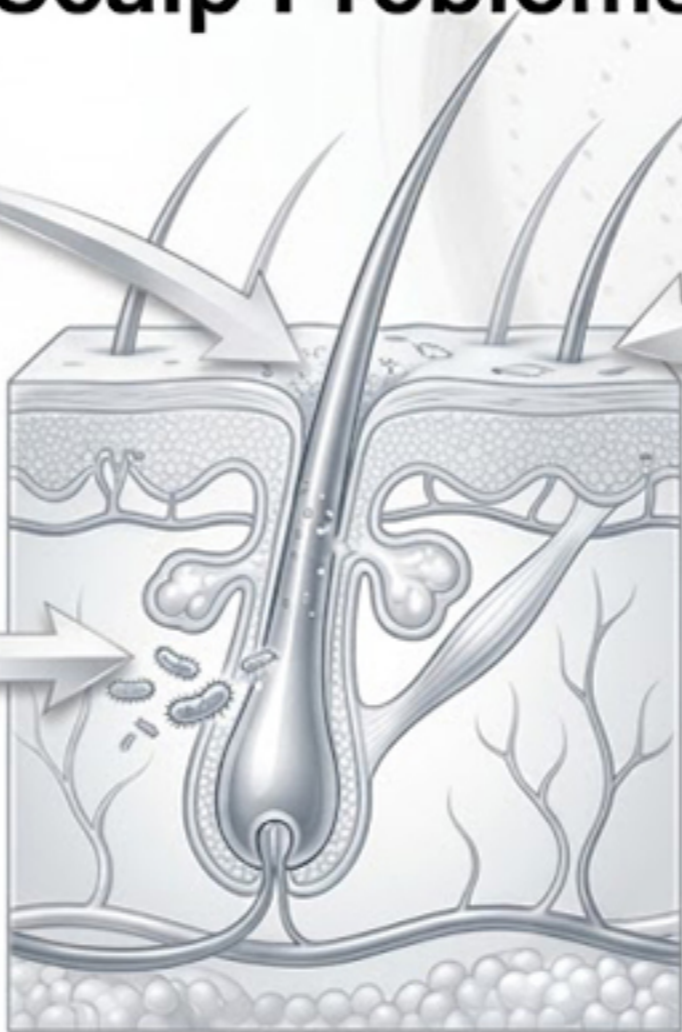
Deep Hair Follicle Purification: Eliminating Scalp Problems at the Root

1. Penetrate

Micro ozone water molecules penetrate blocked pores and hair roots.

2. Eradicate

Effectively eliminates the dandruff fungus causing scalp itch and flaking.

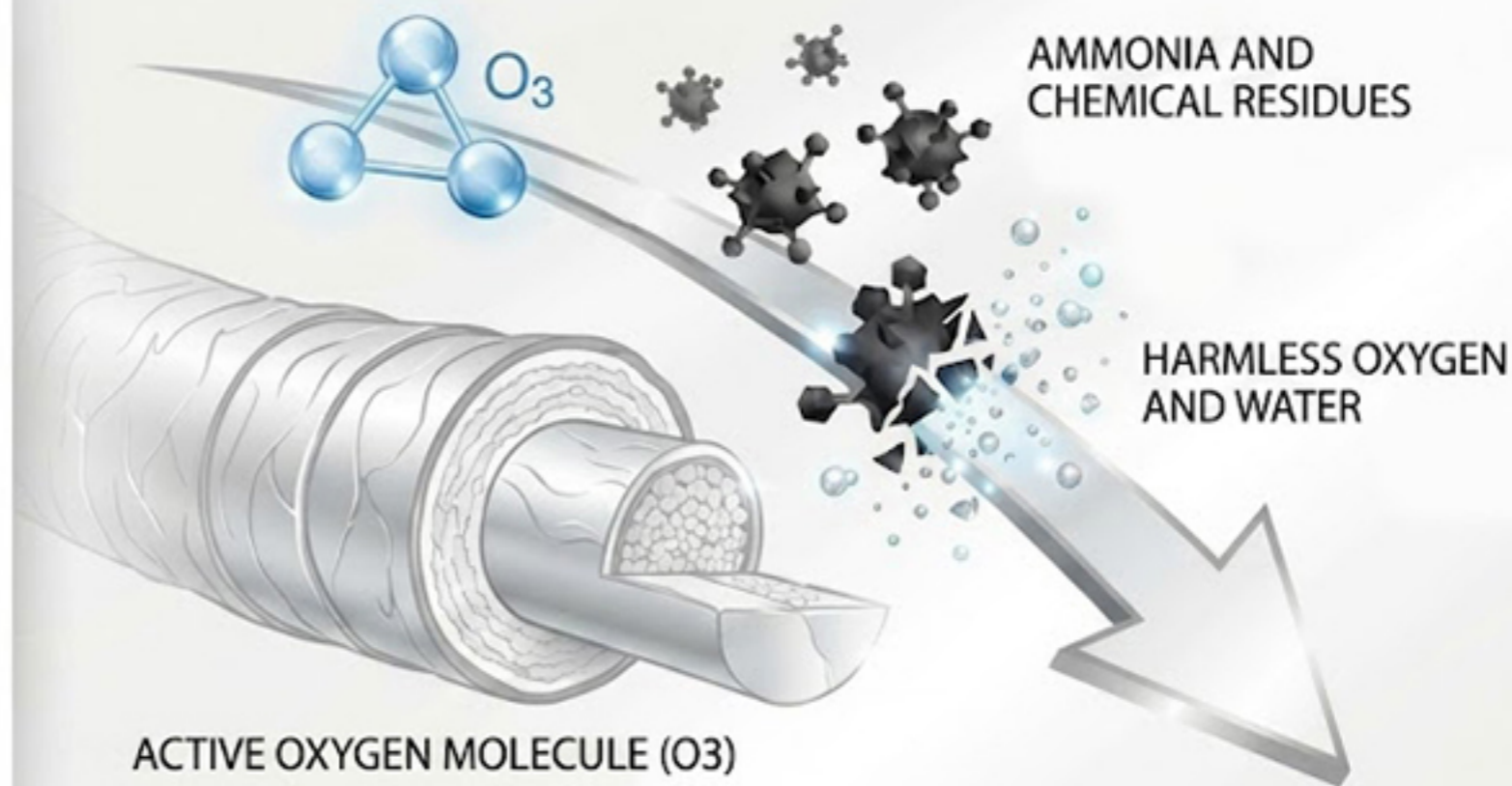


3. Revitalize

Gently removes aged keratin, carries away residue, allowing the scalp to re-"breathe".

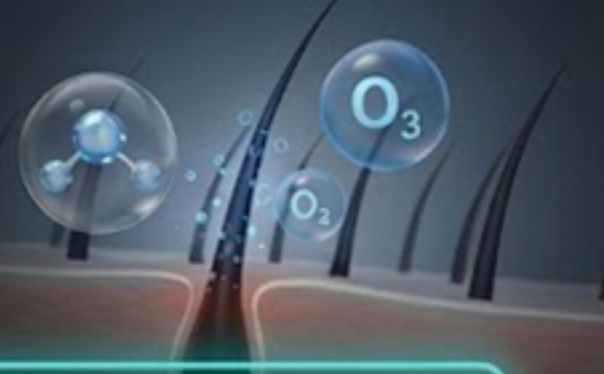
Service Upgrade Tip: Routine washing is deep maintenance, significantly improving customer satisfaction with scalp care treatments.

SAY GOODBYE TO CHEMICAL ODORS, RESHAPE HIGH-END TEXTURE



“The combined O₃ and shower head dual-function quickly eliminates the pungent odor of chemical agents after dyeing, elevating dyeing treatments to the level of a high-end SPA.” — Industry Tested and Approved

CROSS-DIMENSIONAL SERVICE EXPERIENCE UPGRADE COMPARISON: REDEFINING HAIR WASHING STANDARDS



	Traditional Hair Washing Equipment	FT1566 Thermostatic Faucet	Erden Active Oxygen Thermostatic System
TEMPERATURE CONTROL	Significant water temperature fluctuations; relies on designer's repeated fine-tuning and testing.	Precise constant temperature, equipped with anti-scald safety button to avoid sudden hot/cold water.	Precisely target "golden constant temperature", absolute stability.
ODOR AND CLEANSING	Uses fragrance to cover chemical odor (treats symptoms, not the root); water flow is weak, only cleans surface dirt.	No detergent residue, improves pore blockage	Active oxygen actively decomposes chemical molecules, true zero odor; fine micro-bubble active oxygen water flow penetrates into hair follicles, 99.99% high-efficiention
CUSTOMER EXPERIENCE	Prone to causing scalp dandruff and itching.	Scalp is comfortable and relaxed.	Unlocks "Scalp Purification Spa" high-profit service menu
BUSINESS AND MAINTENANCE VALUE	Routine hair washing, difficult to increase unit price; prone to residual water scale and metal oxidation.	Top-level surface treatment, stain and rust-resistant, easy to maintain	Elevates service level, creates high-profit business value

Constant Temperature × Active Oxygen

UPGRADE YOUR SALON EXPERIENCE

Global agents, distributors, and salon operators are welcome to negotiate cooperation.

Manufacturer:
Strongco Enterprise Co., Ltd. (Strongco)

Service Hotline:
886-4-2531-2575

Email:
sales@strongltd.com.tw

Company Address:
No. 82, Sec. 2, Minzu Rd., Tanzi Dist.,
Taichung City 42748, Taiwan

LINE: @tfu4534l (小寫L) →